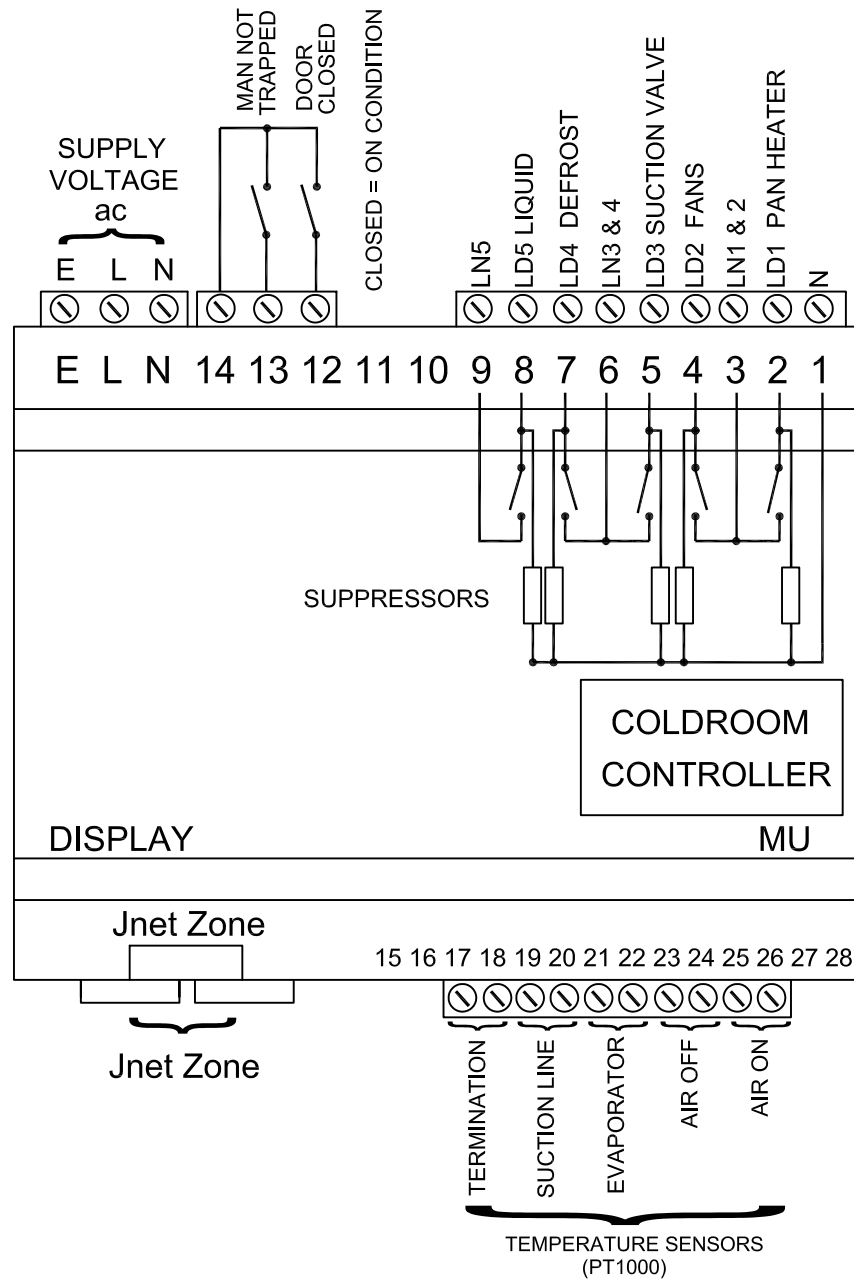


# UACA COLDROOM CONTROLLER



### NOTE

- To ensure that internally fitted suppressors work correctly, connect line voltages to terminals prefixed LN and the corresponding loads to terminals prefixed LD. Ensure neutral is connected to terminal marked N. Terminal 1 must have control supply neutral connected to it.

**JTL SYSTEMS LTD**  
 41 KINGFISHER COURT, HAMBRIDGE RD,  
 NEWBURY, BERKSHIRE: RG14 5SJ  
 TEL: 01635 263646 FAX: 01635 263647

ISSUE	DESCRIPTION	APP'D	DATE
1	ORIGINAL ISSUE	MJK	01/17

TITLE:  
UACA COLDROOM CONTROLLER

PROJ.	DRG No: <b>04763</b>	SHT	OF	ISS.
		1	1	1