

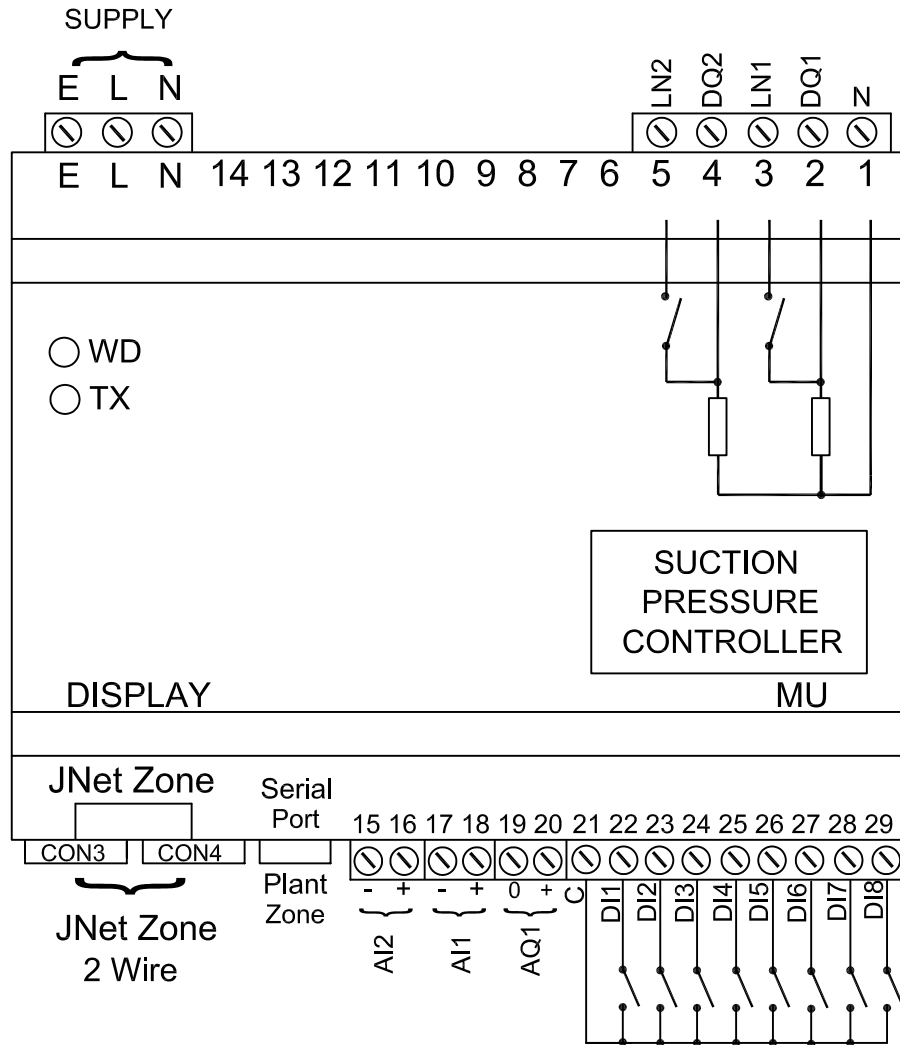
# LP45X COMPRESSOR CONTROL CONNECTION DIAGRAM

### Digital Connections

| OUTPUT |            |                         |
|--------|------------|-------------------------|
| DQ1    | Suppressed | Watchdog                |
| DQ2    | Suppressed | High Suction Pressure   |
| INPUT  |            |                         |
| DI1    | Volt Free  | Auto/Manual             |
| DI2    | Volt Free  | High Discharge Pressure |
| DI3    | Volt Free  | Enable Optimiser        |
| DI4    | Volt Free  | Low Refrigerant         |
| DI5    | Volt Free  | Low Oil Level           |
| DI6    | Volt Free  | Plant Healthy           |
| DI7    | Volt Free  | Not used                |
| DI8    | Volt Free  | Not used                |

### Analogue Connections

| OUTPUT |        |                  |
|--------|--------|------------------|
| AQ1    | 0-10V  | Not used         |
| INPUT  |        |                  |
| AI1    | 4-20mA | Suction Pressure |
| AI2    | 4-20mA | Not used         |



### NOTES:

- Inputs are volt free contacts using internal 15V dc supply.
- To ensure that internally fitted suppressors work correctly, connect line voltages to terminals prefixed LN and the corresponding loads to terminals prefixed DQ. Ensure neutral is connected to terminal marked N.



JTL SYSTEMS LTD  
41 KINGFISHER COURT, HAMBRIDGE RD,  
NEWBURY, BERKSHIRE: RG14 5SJ  
TEL: 01635 263646 FAX: 01635 263647

| ISSUE | DESCRIPTION       | APP'D | DATE  |
|-------|-------------------|-------|-------|
| 2     | UPDATED INPUT DI6 | MJK   | 05/17 |
| 1     | ORIGINAL ISSUE    | DLT   | 03/17 |

TITLE:  
**LP45X SUCTION PRESSURE CONTROLLER**

| PROJ. | DRG No: | SHT | OF | ISS. |
|-------|---------|-----|----|------|
|       | 04777   | 1   | 1  | 2    |