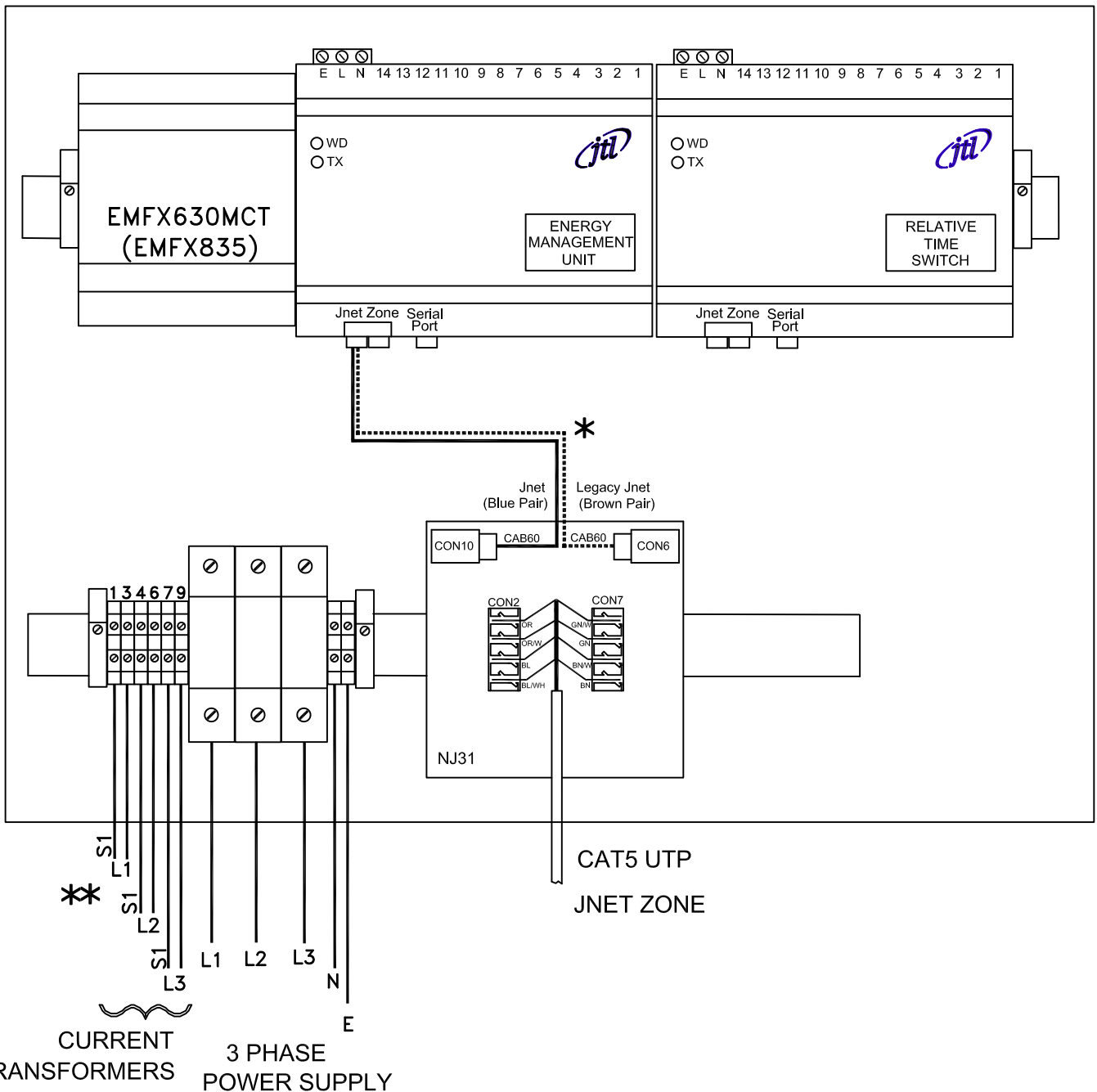


# SS-ENERGY4-1 SHOP SERVICE ENERGY METERING ENCLOSURE



\*\*

NOTE: PHASING AND CT POLARITY MUST BE CORRECT INCLUDING DIRECTION OF PRIMARY FLOW THROUGH THE CT.  
NOTE: NOTE DO NOT DISCONNECT CT WIRING WITH POWER ON. USE CT SHORTING BARS IF NECESSARY

\*

NOTE: USE BLUE OR BROWN PAIR AS SITE NETWORK REQUIRES.

THIS IS AN UNCONTROLLED COPY - UNLESS STAMPED WITH CONTROLLED COPY STAMP

ISSUE	DESCRIPTION	APP'D	DATE
2	ADDED EMFX630MCT	SzN	01/20
1	ORIGINAL ISSUE	SzN	10/17



JTL SYSTEMS LTD.  
41 KINGFISHER COURT, HAMBRIDGE RD,  
NEWBURY, BERKSHIRE. RG14 5SJ  
TEL: 01635-263646 FAX: 01635 263647

TITLE:  
SS-ENERGY4-1 SHOP SERVICE  
ENERGY METERING ENCLOSURE

DRG TYPE: CONNECTION DIAGRAM

PROJ:	DRG No:	SHT	OF	ISS.
	04864	1	1	2