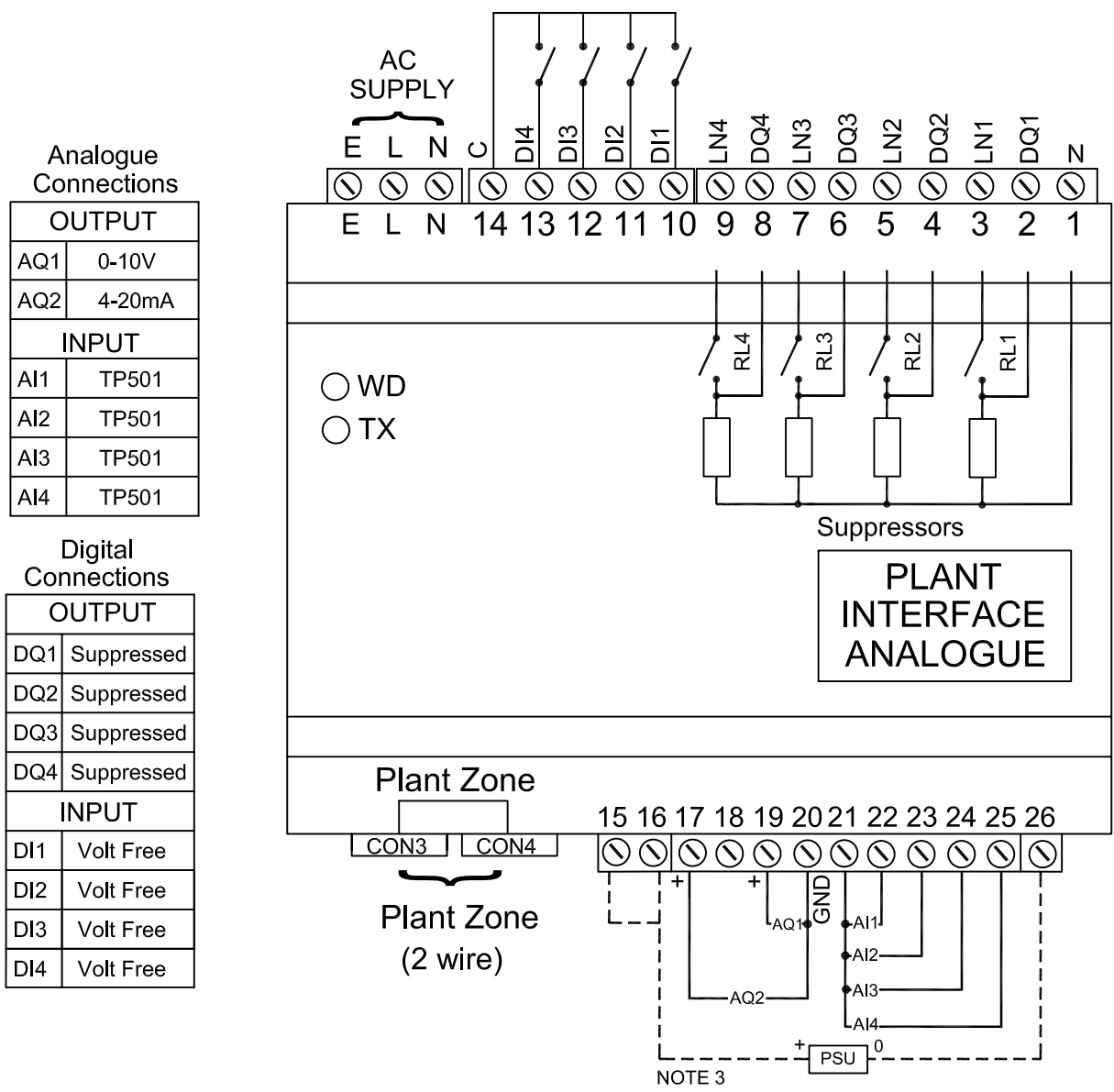


# IF39 CONNECTION DIAGRAM



**Analogue Connections**

OUTPUT	
AQ1	0-10V
AQ2	4-20mA
INPUT	
AI1	TP501
AI2	TP501
AI3	TP501
AI4	TP501

**Digital Connections**

OUTPUT	
DQ1	Suppressed
DQ2	Suppressed
DQ3	Suppressed
DQ4	Suppressed
INPUT	
DI1	Volt Free
DI2	Volt Free
DI3	Volt Free
DI4	Volt Free

- NOTES:**
- Inputs are volt free contacts using internal 15V ac supply.
  - To ensure that internally fitted suppressors work correctly, connect line voltages to terminals prefixed LN and the corresponding loads to terminals prefixed DQ. Ensure neutral is connected to terminal marked N.
  - AQ2 (4-20mA) has an optional power source either internal or external.
    - Internal - connect terminals 15 & 16.
    - External - connect a 24Vdc between terminals 16 & 26.

JTL SYSTEMS LTD  
41 KINGFISHER COURT, HAMBRIDGE RD,  
NEWBURY, BERKSHIRE: RG14 5SJ  
TEL: 01635 263646 FAX: 01635 263647

ISSUE	DESCRIPTION	APPD	DATE
1	ORIGINAL ISSUE	MJK	01/18

IF39 CONNECTION DIAGRAM

PROJ.	DRG No: <b>04902</b>	SHT	OF	ISS.
		1	1	1

THIS IS AN UNCONTROLLED COPY - UNLESS STAMPED WITH CONTROLLED COPY STAMP