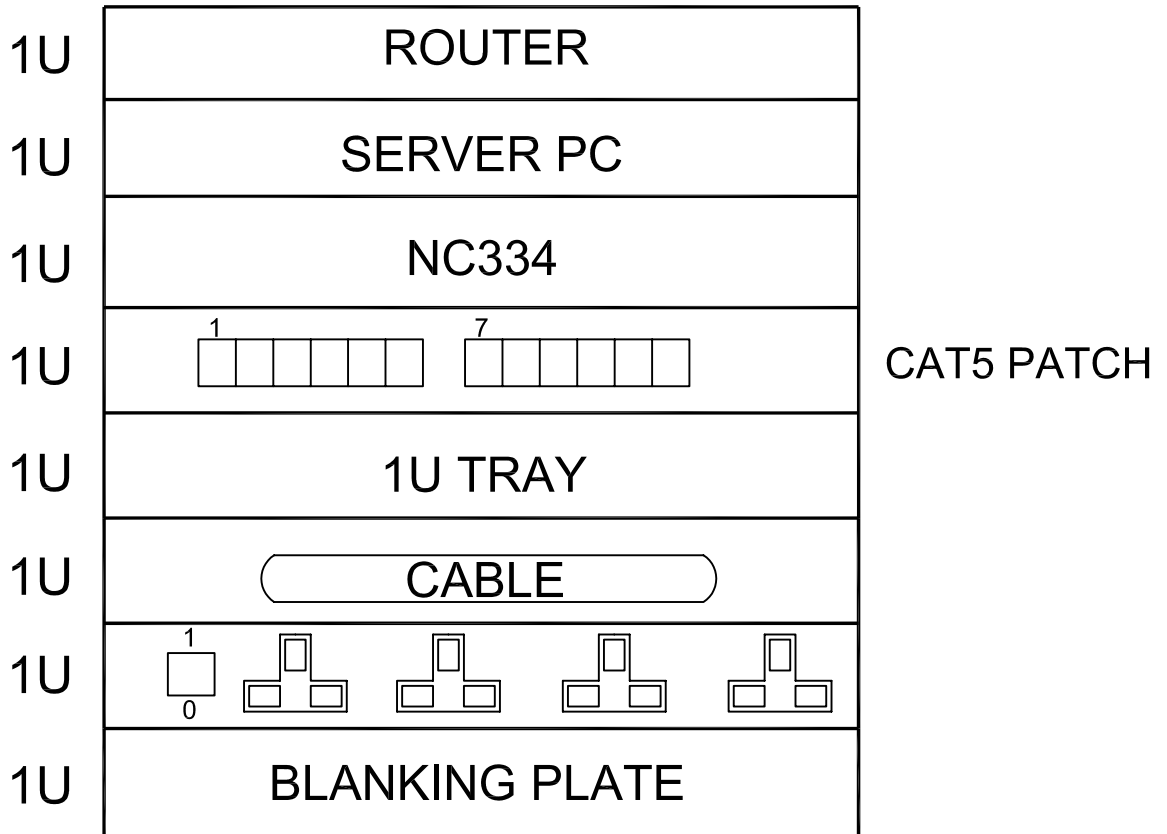


**MINI RACK
JTL CENTRAL NETWORK ENCLOSURE**



ISSUE	DESCRIPTION	APP'D	DATE
1	ORIGINAL ISSUE	MJK	01/14



JTL SYSTEMS LTD.
 41 KINGFISHER COURT, HAMBRIDGE RD,
 NEWBURY, BERKSHIRE. RG14 5SJ
 TEL: 01635-263646 FAX: 01635 263647

TITLE: MINI RACK JTL CENTRAL NETWORK ENCLOSURE REPLACEMENT SINGLE PC LAYOUT		PROJ:	DRG No: <div style="text-align: center; font-size: 1.2em;">04285</div>	SHT <div style="text-align: center; font-size: 1.2em;">1</div>	OF <div style="text-align: center; font-size: 1.2em;">1</div>	ISS. <div style="text-align: center; font-size: 1.2em;">1</div>
---	--	-------	--	--	---	---