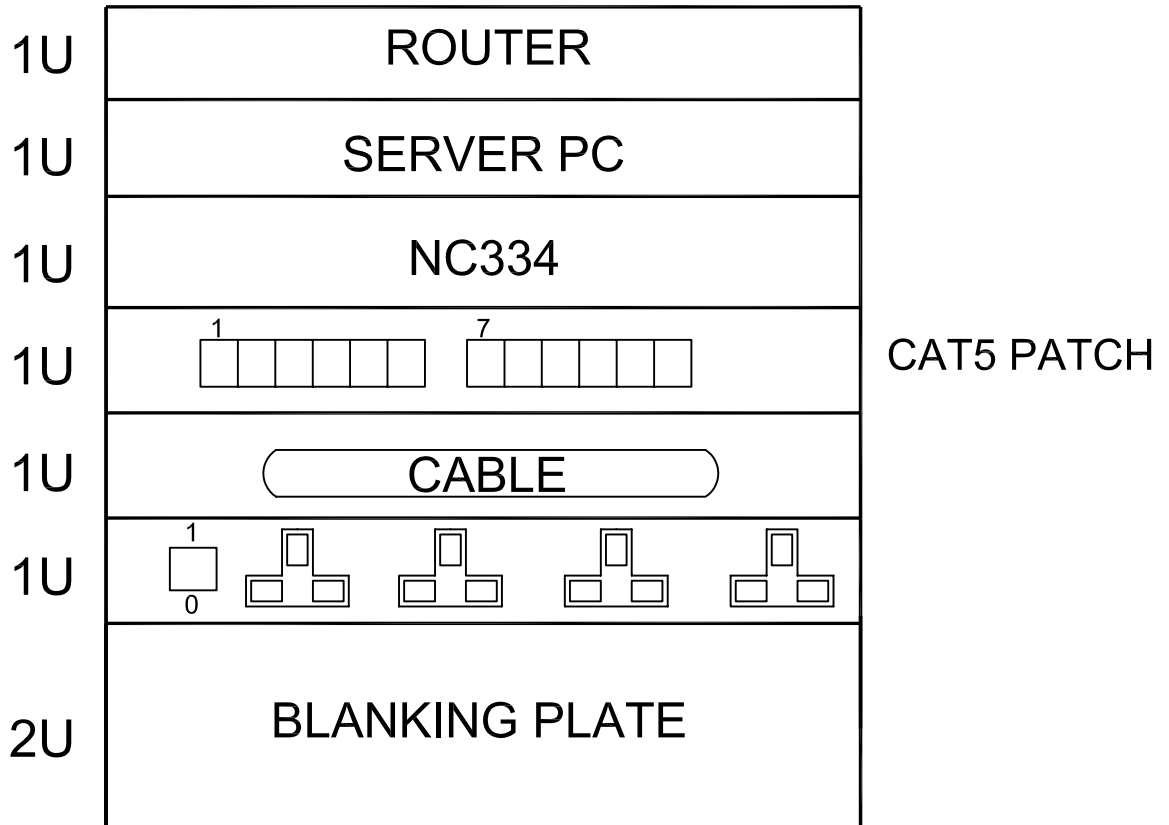


**MINI RACK  
JTL CENTRAL NETWORK ENCLOSURE**



ISSUE	DESCRIPTION	APP'D	DATE
1	ORIGINAL ISSUE	MJK	03/14



**JTL SYSTEMS LTD.**  
 41 KINGFISHER COURT, HAMBRIDGE RD,  
 NEWBURY, BERKSHIRE. RG14 5SJ  
 TEL: 01635-263646 FAX: 01635 263647

**TITLE:**  
 MINI RACK JTL CENTRAL NETWORK ENCLOSURE  
 REPLACEMENT SINGLE PC LAYOUT

PROJ:	DRG No:	<b>04303</b>	SHT	OF	ISS.
			<b>1</b>	<b>1</b>	<b>1</b>