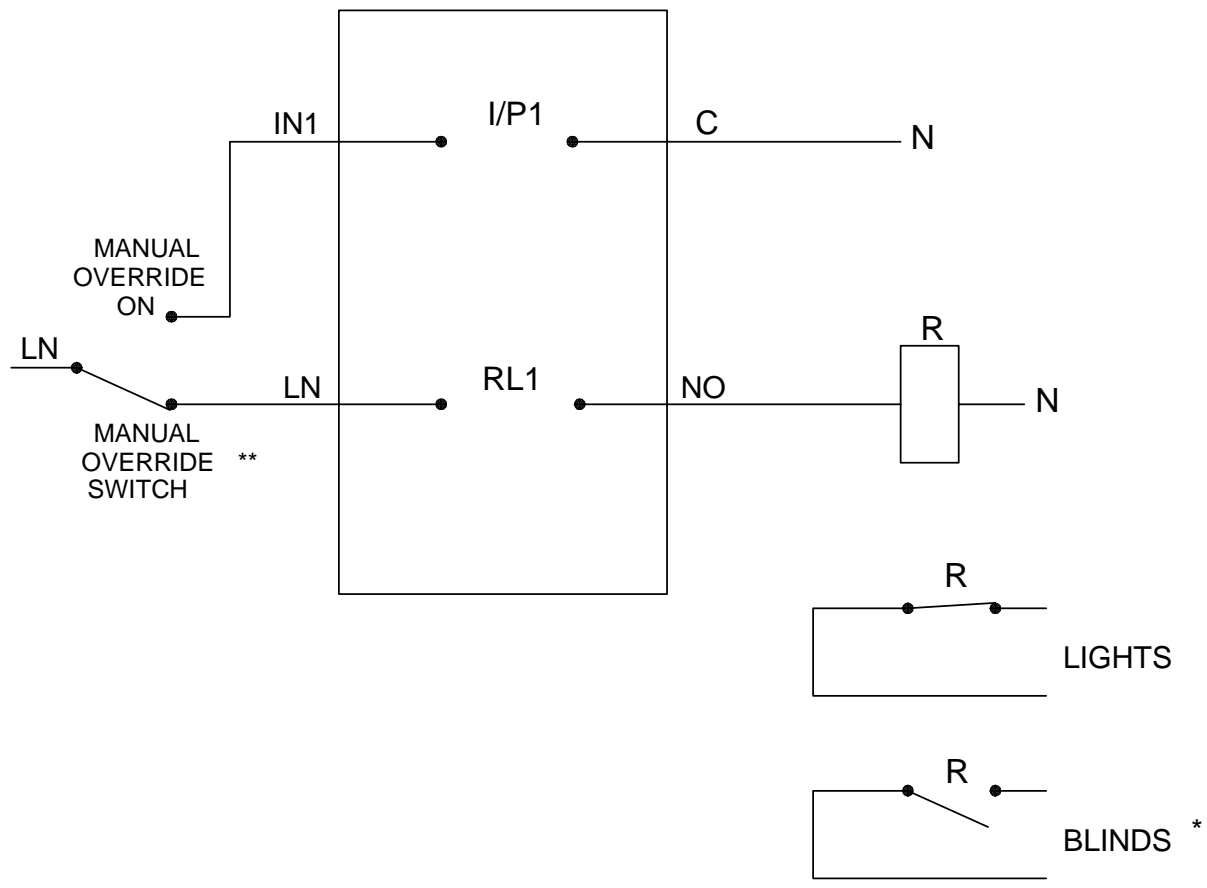


**LCxx CONTROLLER  
WITH LIGHTING/BLIND CONTROL**



\*\* THE OVERRIDE SWITCH IS ONLY REQUIRED FOR NIGHT BLIND CONTROL.

\* CLOSED CONTACT DRIVES BLIND DOWN.

ISSUE	DESCRIPTION	APP'D	DATE
3	ADDED NOTE ABOUT OVERRIDE SWITCH	JFH	11/94
2	TEXT UPDATED	JFH	11/93
4	UPDATED TEXT	MJK	5/98



**JTL SYSTEMS LTD.**  
41 KINGFISHER COURT, HAMBRIDGE RD  
NEWBURY, BERKSHIRE. RG14 5SJ  
TEL: 01635-263646 FAX: 01635-263647

TITLE:  
**LIGHTING CONTROL &  
NIGHT BLIND SCHEME**

PROJ:	DRG No:	SHT	OF	ISS.
—	00943	1	1	4