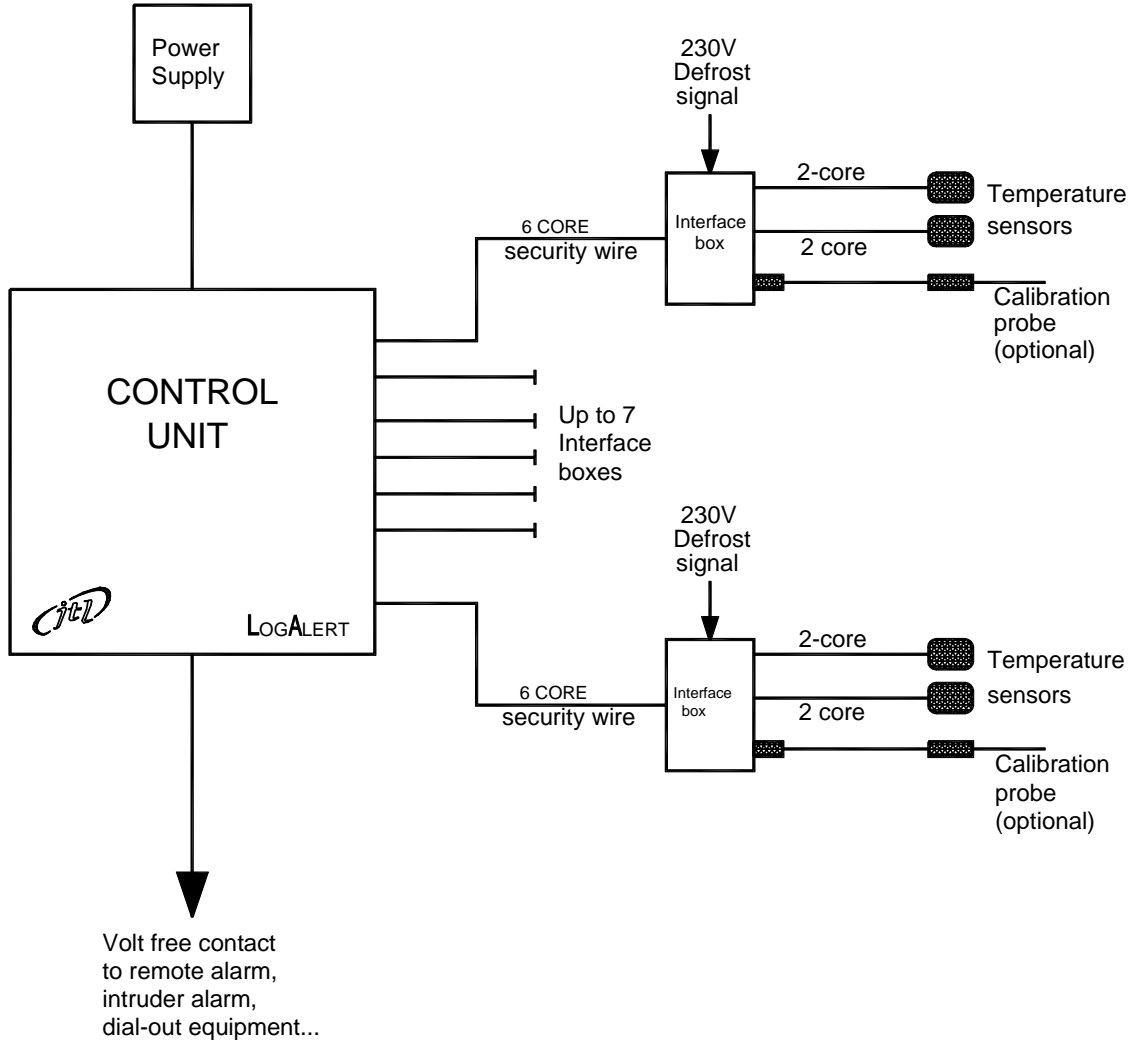


LOGALERT SYSTEM WIRING DRAWING



ISSUE	DESCRIPTION	APP'D DATE		
1	ORIGINAL ISSUE	MJK	10/95	



JTL SYSTEMS LTD
 41 KINGFISHER COURT, HAMBRIDGE RD,
 NEWBURY, BERKSHIRE. RG14 5SJ
 TEL: 01635-263646 FAX: 01635 263647

TITLE:
LOGALERT SYSTEM WIRING

PROJ:	DRG No:	SHT	OF	ISS
	01537	1	1	1