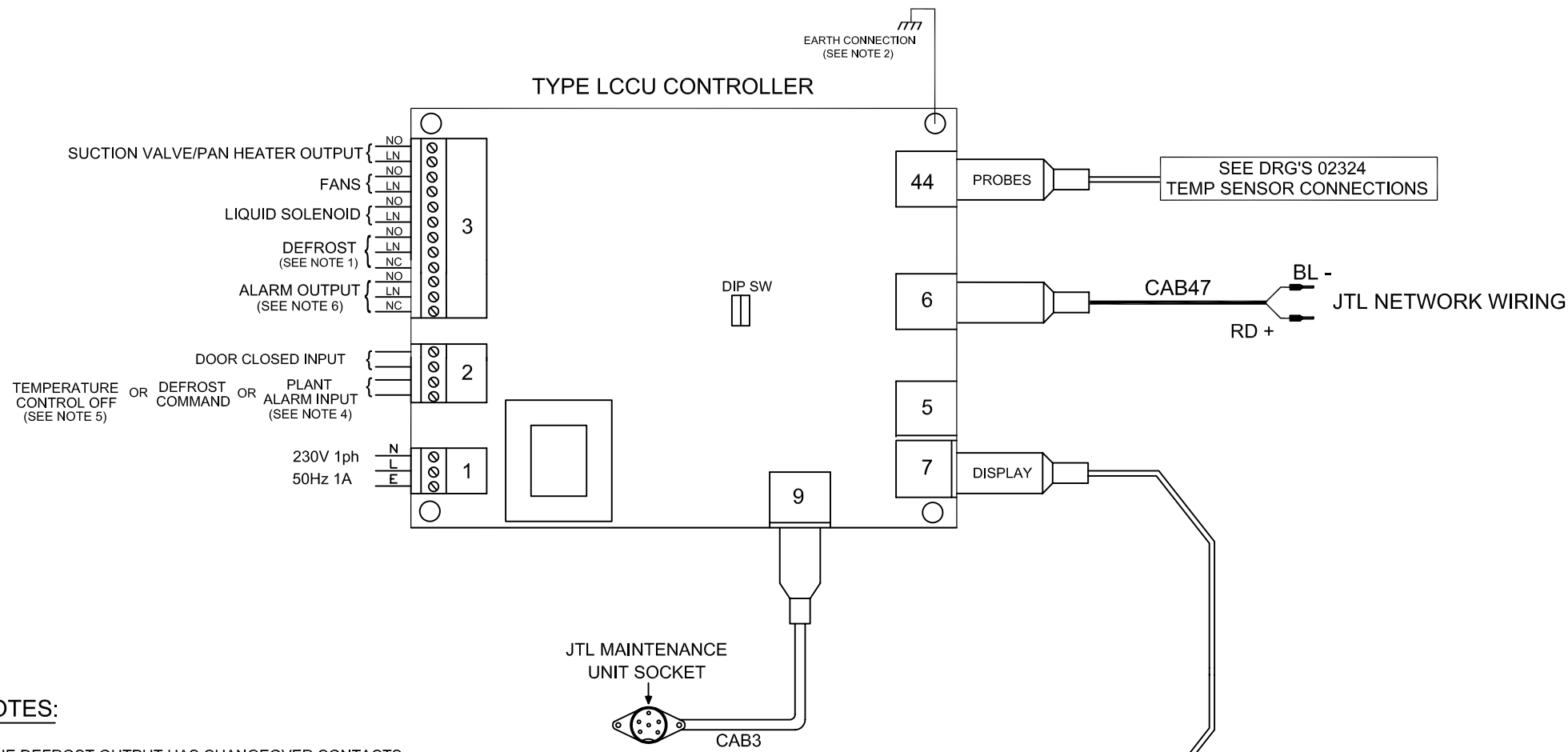


# LCCU COLDSTORE CONTROLLER & ASSOCIATED PARTS



## NOTES:

1. THE DEFROST OUTPUT HAS CHANGEOVER CONTACTS. SELECT THE APPROPRIATE OUTPUT FOR THE APPLICATION.
2. THE LCCU CONTROLLER MUST BE EARTHED TO THE CHASSIS VIA THE CONTROLLER FIXING HOLE AS SHOWN.
3. TO MEET EMC REQUIREMENTS THE CONTROLLER MUST BE INSTALLED ACCORDING TO THE INSTALLATION REQUIREMENTS SHEET FOR THIS PRODUCT.
4. INPUTS REQUIRE 'C' CONNECTED TO THE NEUTRAL AND THE INPUT TO 230Vac WHEN SIGNAL IS PRESENT.
5. IF ITEM 138 SET ON THEN A CLOSED CONTACT ON INPUT 2 PUTS COLDROOM INTO SHUTDOWN MODE.
6. ALARM OUTPUT FROM V0.00.6

THIS IS AN UNCONTROLLED COPY - UNLESS STAMPED WITH CONTROLLED COPY STAMP

		JTL SYSTEMS LTD. 41, KINGFISHER COURT, HAMBRIDGE RD, NEWBURY, BERKSHIRE, RG14 5SJ TEL: 01635-263646 FAX: 01635-263647	
ISS	DESCRIPTION	APP'D	DATE
3	ADDED LCD13 AND CABLES	MJK	06/13
2	ADDED ALARM OUTPUT & NOTE 6	MJK	10/11
1	ORIGINAL ISSUE	MJK	04/02
TITLE: COLDSTORE CONTROLLER & ASSOCIATED PARTS			
TYPE: LCCU			
PROJ.	DRG No:	SHT	OF
LC	02760	1	1
			ISS.
			3