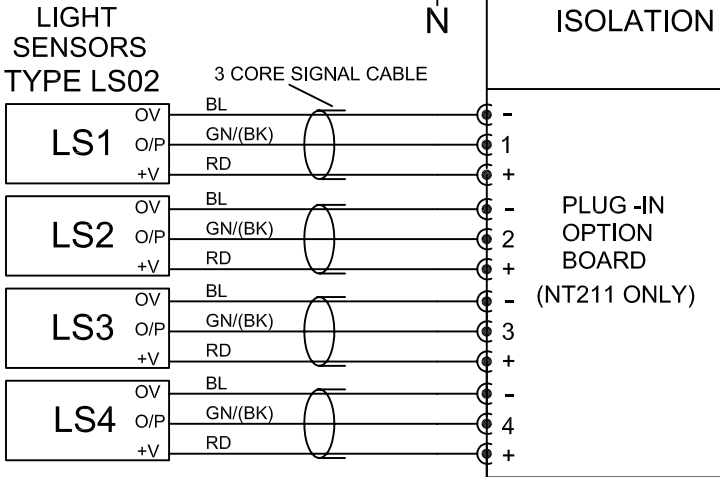
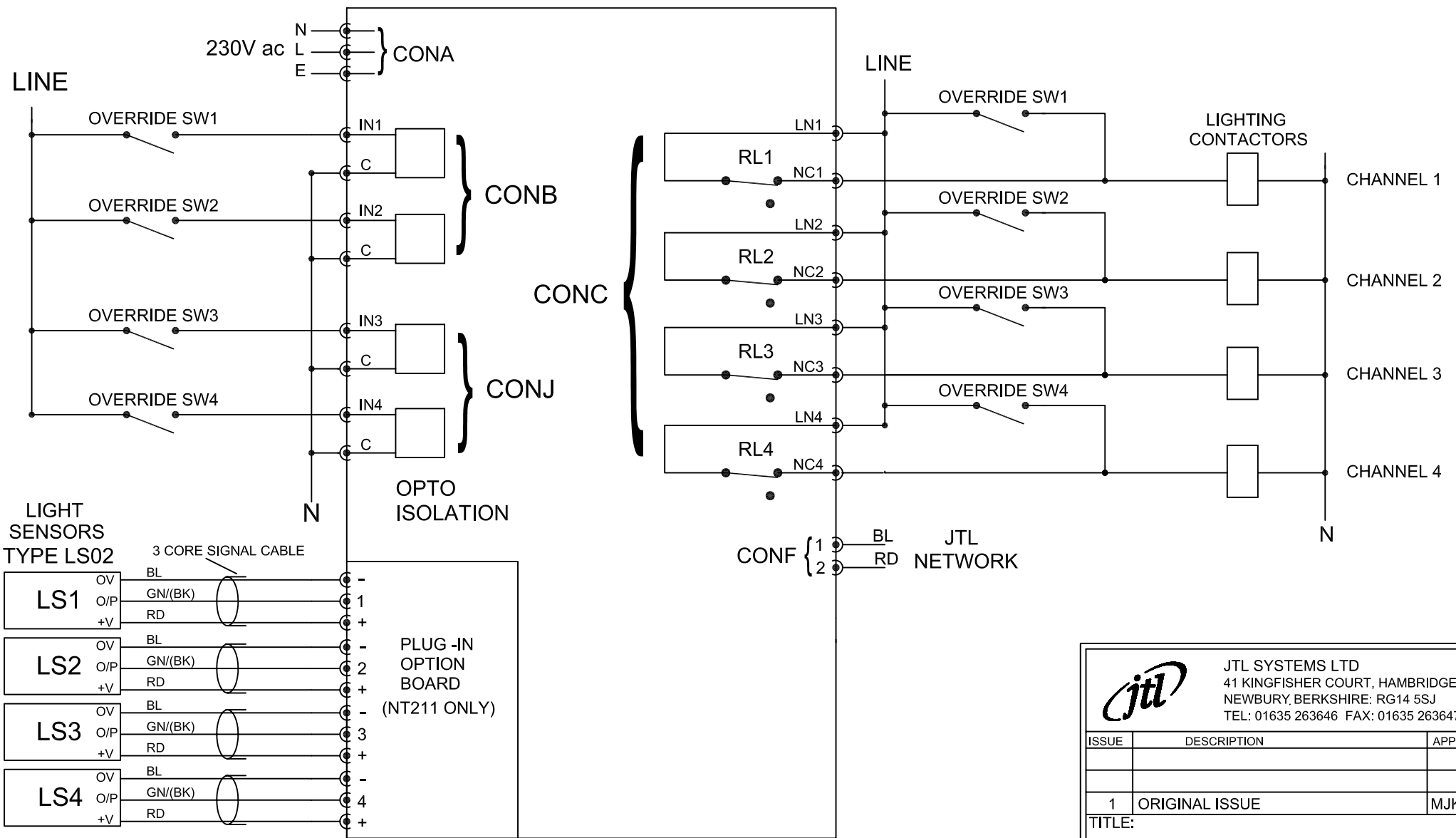


JTL NT12x & NT21x



NOTE CONNECTIONS TO THE LS02 SENSOR ARE DIFFERENT TO THE PREDECESSOR MODEL LS01.

THIS IS AN UNCONTROLLED COPY - UNLESS STAMPED WITH CONTROLLED COPY STAMP

JTL SYSTEMS LTD
 41 KINGFISHER COURT, HAMBRIDGE RD,
 NEWBURY, BERKSHIRE: RG14 5SJ
 TEL: 01635 263646 FAX: 01635 263647

ISSUE	DESCRIPTION	APP'D	DATE
1	ORIGINAL ISSUE	MJK	10/02

TITLE:
NT12x & NT21x WIRING SCHEME USING SENSOR LS02

PROJ.	DRG No:	SHT	OF	ISS.
	02861	1	1	1