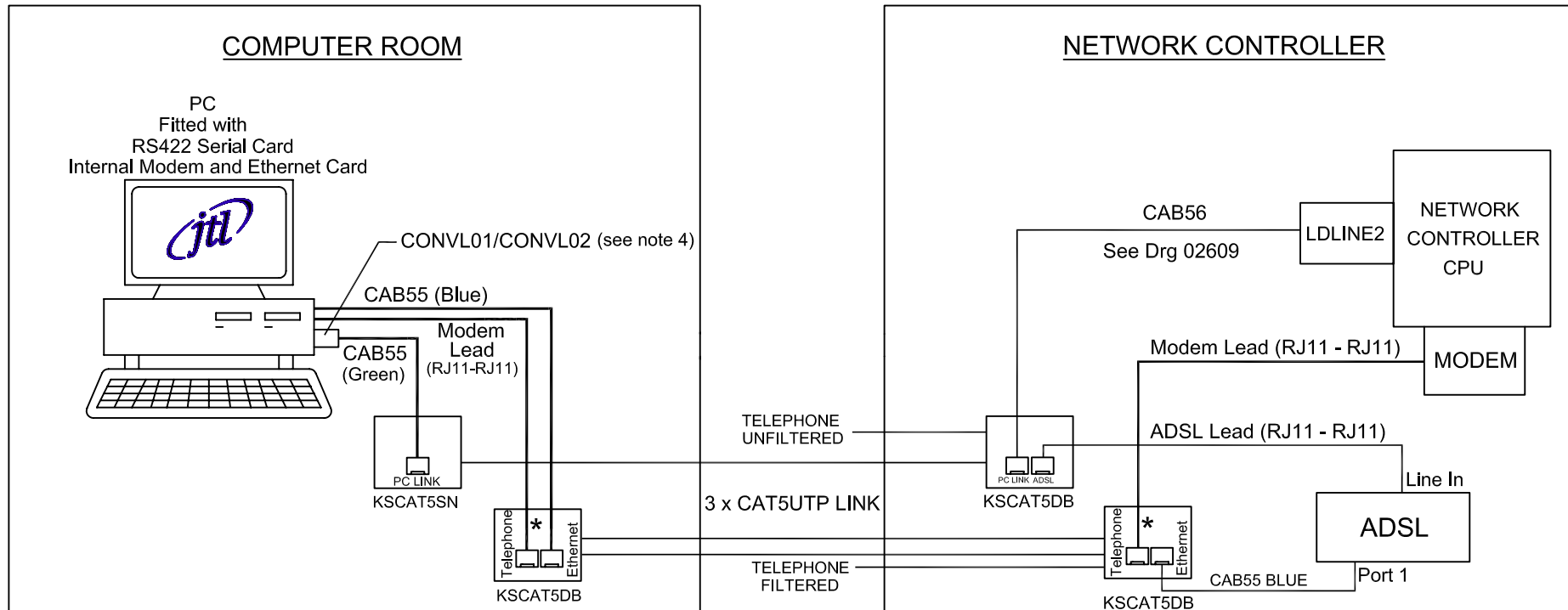


**SITE PC TO NETWORK CONTROLLER CONNECTION DIAGRAM INCLUDING ADSL ROUTER  
USING 3 x CATEGORY 5 LINK**



\*RJ11 Plug fits into the centre of an RJ45 Socket without need for BT adapter.

**NOTES:**

1. Double RJ45 Socket for the RS422 direct connection to Network Controller on the left. ADSL (unfiltered telephone) on the right. Double RJ45 Socket used for Telephone, on the left, and Ethernet on the right.
2. All Sockets are to be wired according to TIA568B colour scheme see drawing 02718.
3. Sockets should also be labelled according to function.
4. Use CONVL01 where "B & B Electronics" RS422 Card fitted and CONVL02 where "BRAINBOXES" RS422 Card fitted.
5. Where Brainboxes card fitted, neither of the two jumpers (on the card) should be fitted.

