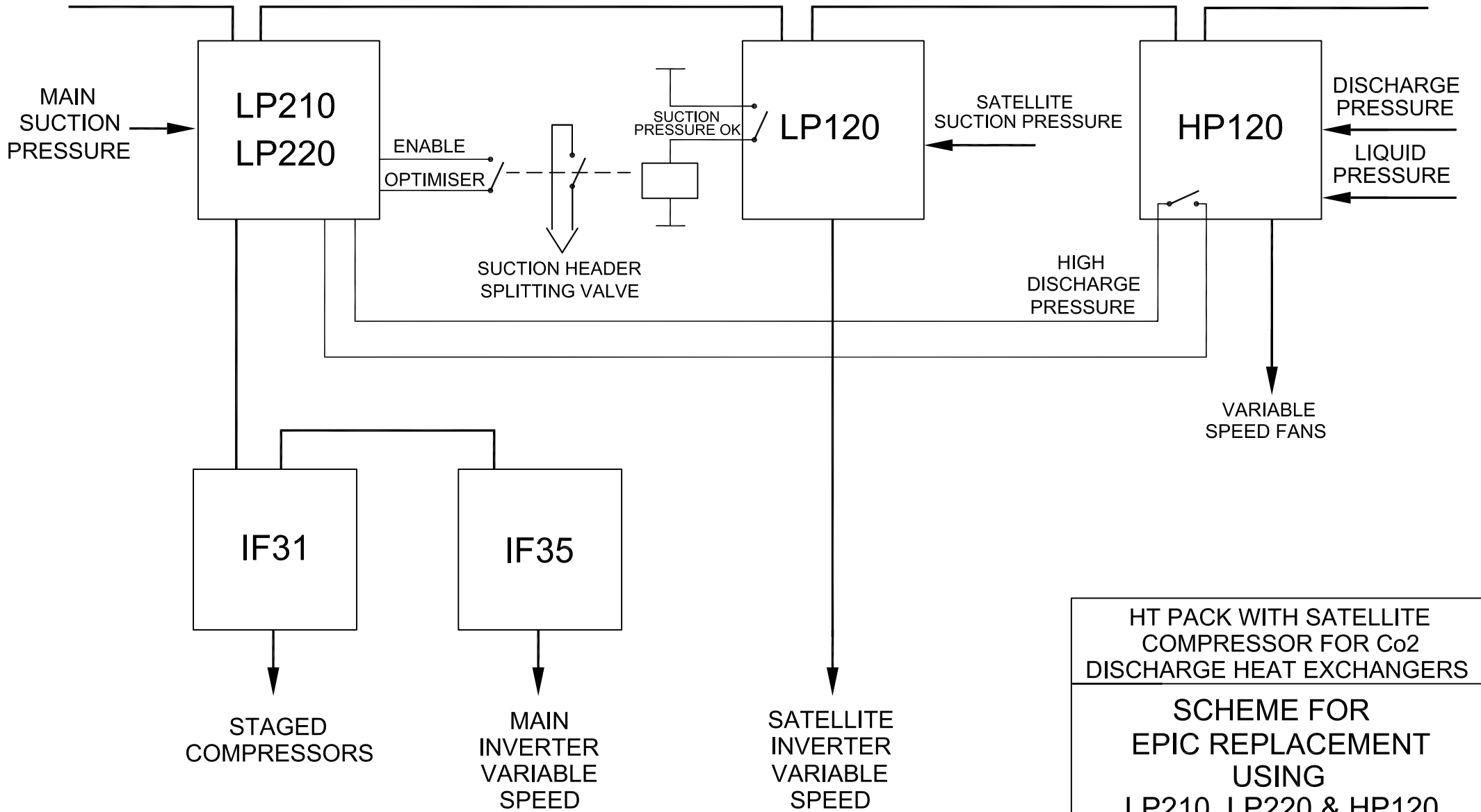


JTL NETWORK



HT PACK WITH SATELLITE
COMPRESSOR FOR Co2
DISCHARGE HEAT EXCHANGERS

SCHEME FOR
EPIC REPLACEMENT
USING
LP210, LP220 & HP120



JTL SYSTEMS LTD
41 KINGFISHER COURT, HAMBRIDGE RD,
NEWBURY, BERKSHIRE: RG14 5SJ
TEL: 01635 263646 FAX: 01635 263647