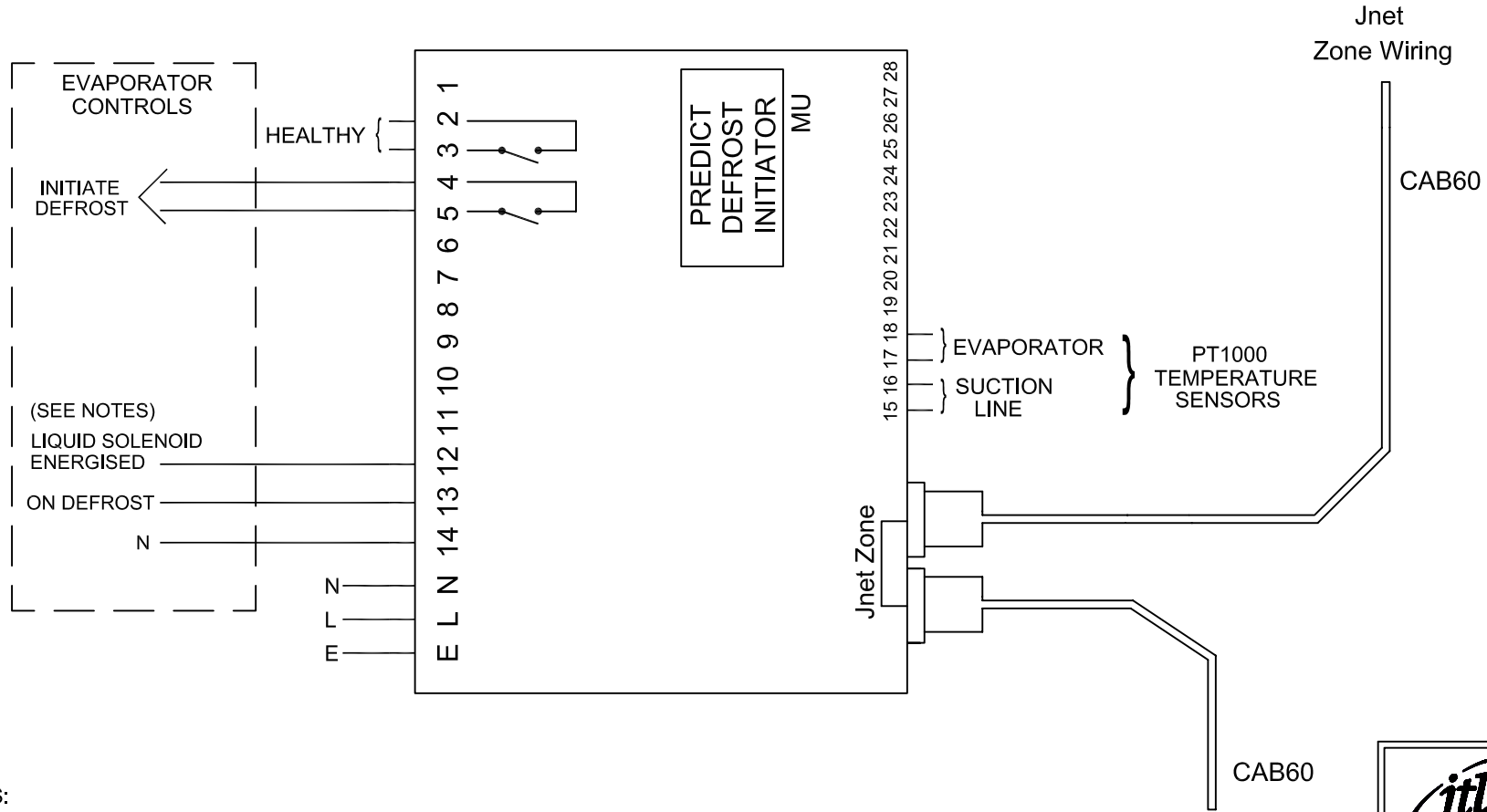


# PD110 PREDICT DEFROST INITIATOR



**NOTES:**

1. INPUTS ARE 230V ac.
2. CONNECT TERMINAL 14 TO CONTROL SUPPLY NEUTRAL.
3. THIS UNIT IS NOT SUITABLE FOR 415V USE.  
INPUTS AND UNIT SUPPLY MUST BE ON THE SAME PHASE.
4. OUTPUTS ARE NOT INTERNALLY SUPPRESSED.

THIS IS AN UNCONTROLLED COPY - UNLESS STAMPED WITH CONTROLLED COPY STAMP

**JTL SYSTEMS LTD**  
 41 KINGFISHER COURT, HAMBRIDGE RD,  
 NEWBURY, BERKSHIRE: RG14 5SJ  
 TEL: 01635 263646 FAX: 01635 263647

ISSUE	DESCRIPTION	APP'D	DATE
2	ADDED NOTES	MJK	03/13
1	ORIGINAL ISSUE	MJK	02/12

TITLE:  
**PD110 PREDICT DEFROST INITIATOR SCHEMATIC DIAGRAM**

PROJ.	DRG No: <b>03924</b>	SHT	OF	ISS.
		<b>1</b>	<b>1</b>	<b>2</b>