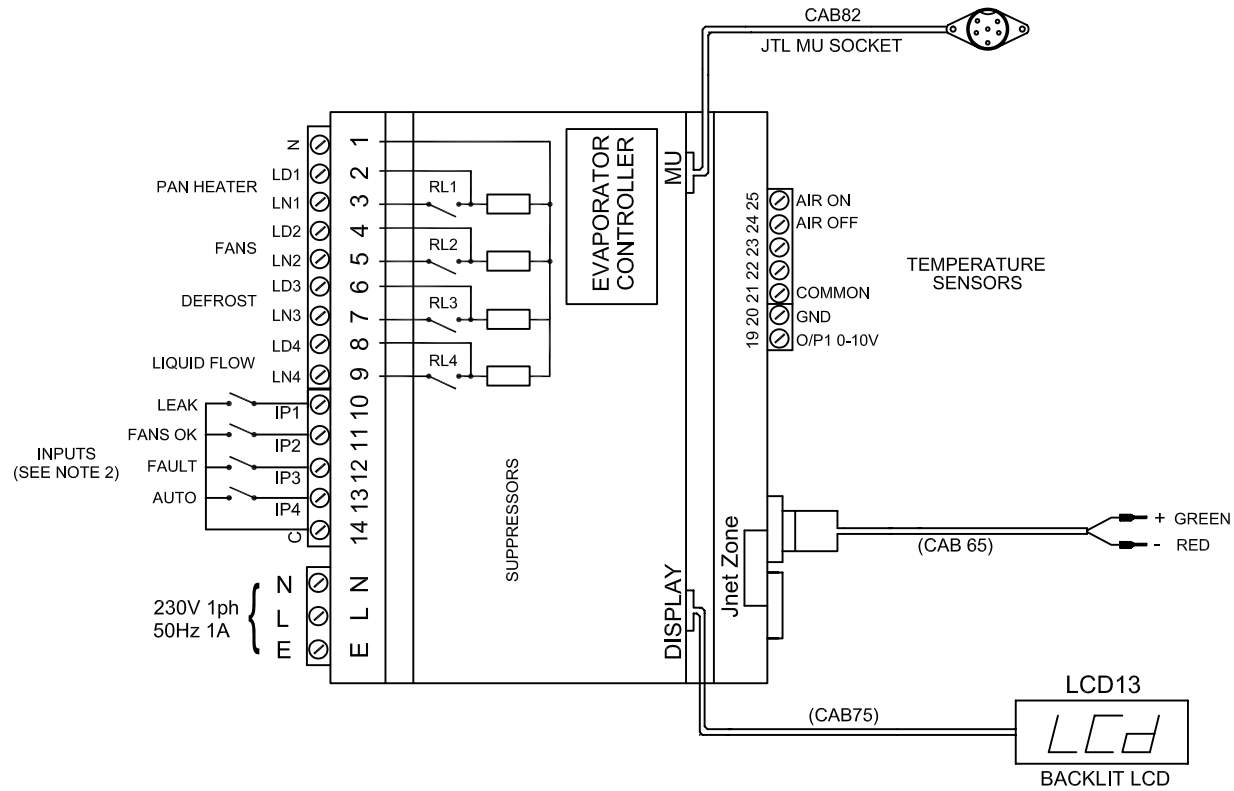


# UACU EVAPORATOR CONTROLLER & ASSOCIATED PARTS SCHEMATIC



**NOTES:**

1. TO MEET EMC REQUIREMENTS THE CONTROLLER MUST BE INSTALLED ACCORDING TO THE INSTALLATION REQUIREMENTS SHEET FOR THIS PRODUCT.
2. INPUTS ARE FOR VOLT FREE CONTACTS. CONTACTS ARE CLOSED FOR THE 'ON' CONDITION SHOWN.

THIS IS AN UNCONTROLLED COPY - UNLESS STAMPED WITH CONTROLLED COPY STAMP

		JTL SYSTEMS LTD. 41 KINGFISHER COURT, HAMBRIDGE RD, NEWBURY, BERKSHIRE. RG14 5SJ TEL: 01635-263646 FAX: 01635-263647	
ISS	DESCRIPTION	APP'D	DATE
1	ORIGINAL ISSUE	MJK	06/12
TITLE: EVAPORATOR CONTROLLER & ASSOCIATED PARTS SCHEMATIC			
TYPE: UACU			
PROJ.	DRG No:	SHT OF	ISS.
UA	04005	1 1	1