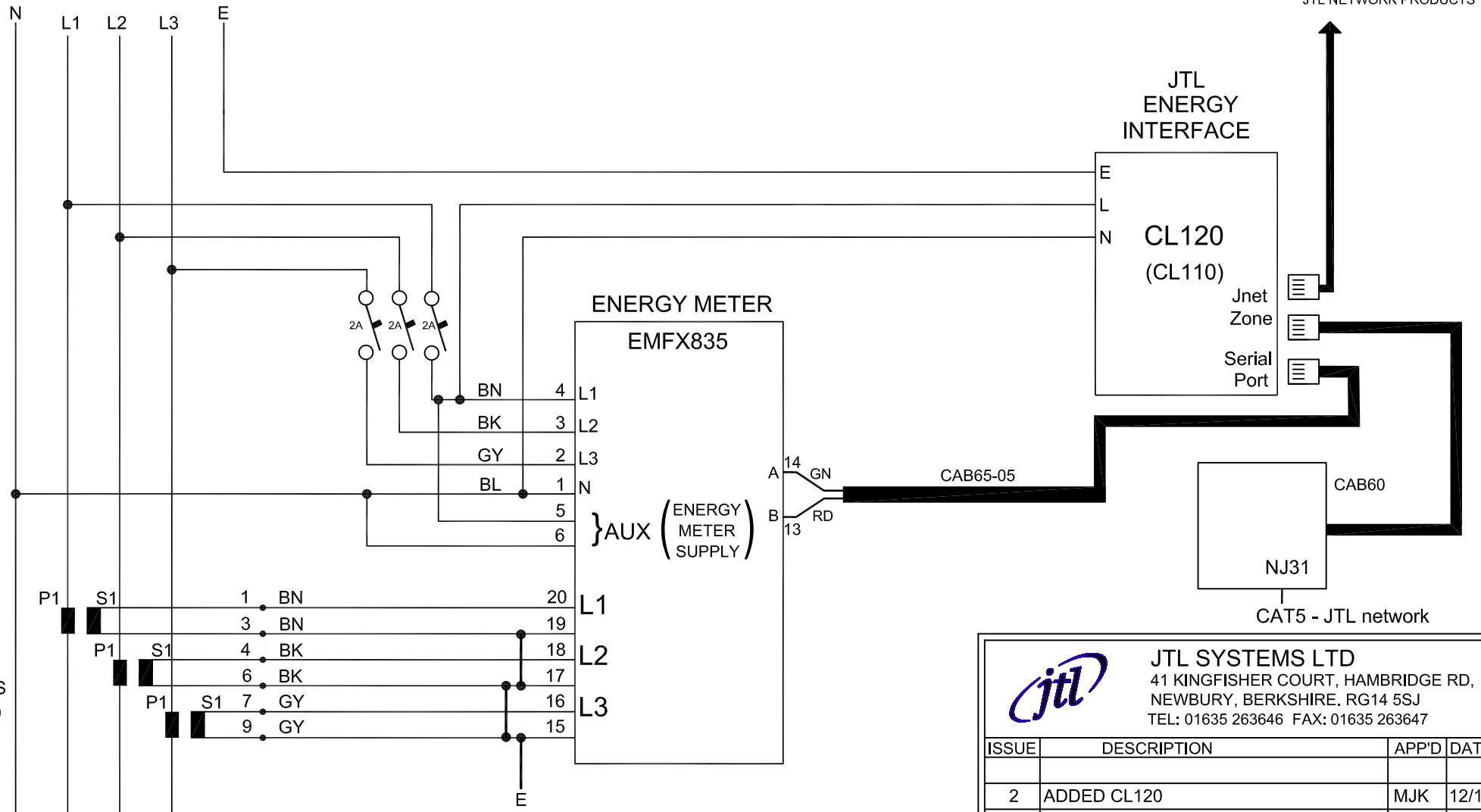


3 Ø SUPPLY




CURRENT TRANSFORMERS (CT)

LOAD

NOTE PHASING AND CT POLARITY MUST BE CORRECT INCLUDING DIRECTION OF PRIMARY FLOW THROUGH THE CT.

NOTE DO NOT DISCONNECT CT WIRING WITH POWER ON. USE CT SHORTING BARS IF NECESSARY.

THIS IS AN UNCONTROLLED COPY - UNLESS STAMPED WITH CONTROLLED COPY STAMP



JTL SYSTEMS LTD
 41 KINGFISHER COURT, HAMBRIDGE RD,
 NEWBURY, BERKSHIRE, RG14 5SJ
 TEL: 01635 263646 FAX: 01635 263647

ISSUE	DESCRIPTION	APP'D	DATE
2	ADDED CL120	MJK	12/16
1	ORIGINAL ISSUE	SzN	08/16

TITLE: **ENERGY MONITORING FOR PACKS SCHEMATIC DIAGRAM**

TYPE: SS-ENERGY3-1

PROJ.	DRG No: 04700	SHT	OF	ISS.
		1	1	2