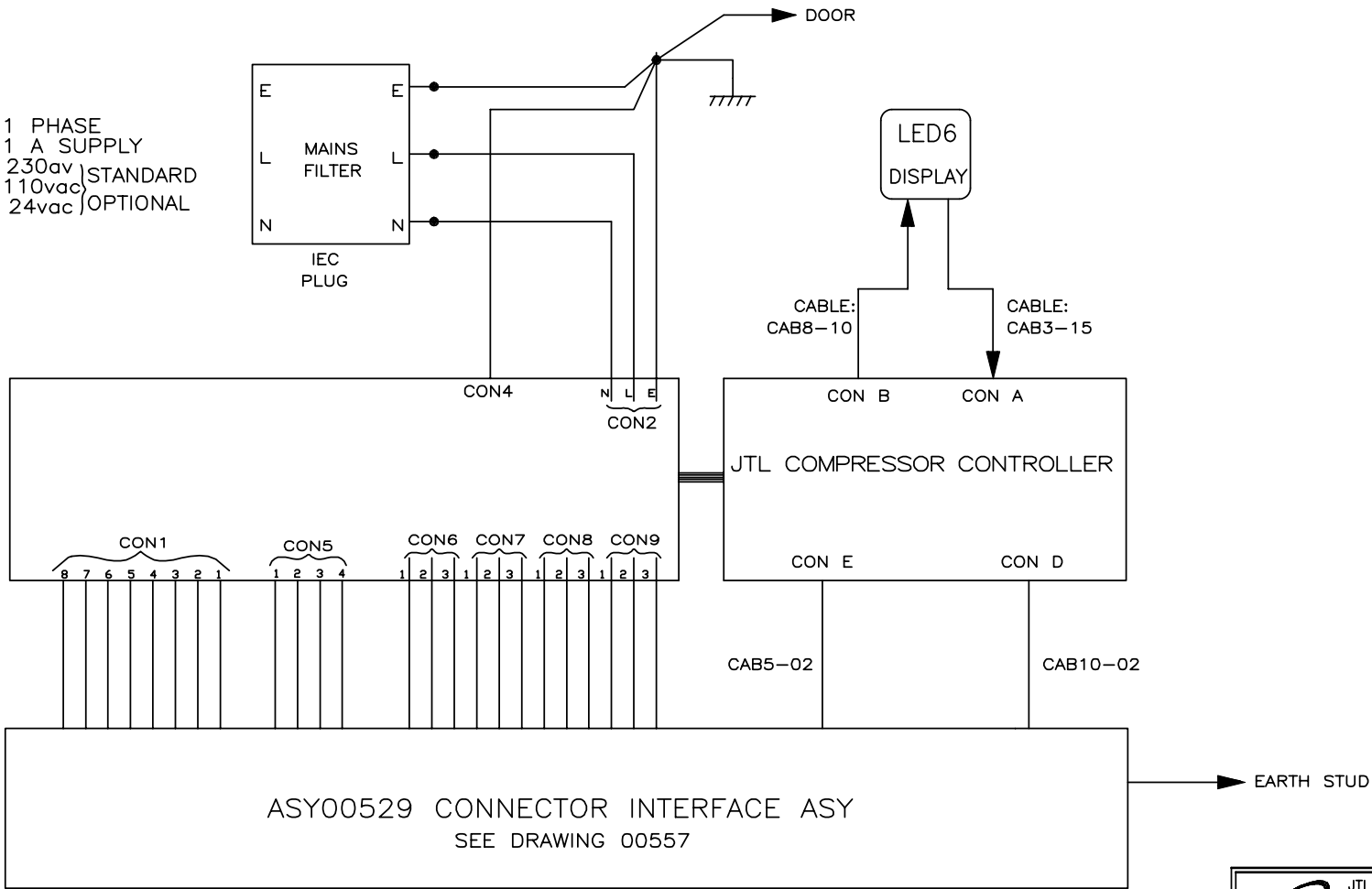
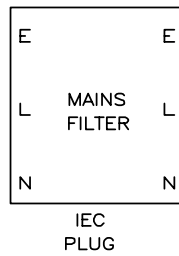



1 PHASE
1 A SUPPLY
230av) STANDARD
110vac)
24vac) OPTIONAL



 JTL SYSTEMS LTD. 41 KINGFISHER COURT, HAMBRIDGE RD, NEWBURY, BERKSHIRE. RG14 5SJ TEL: 01635-263646 FAX: 01635-263647			
ISSUE	DESCRIPTION	APP'D	DATE
2	ADDED CP5H-BD	MJK	11/02
1	ORIGINAL ISSUE	PT	2/93
TITLE: BOXED COMPRESSOR CONTROLLER WIRING			
TYPE: CP4x-BD & CP5H-BD			
PROJ.	DRG No:	SHT	OF ISS.
CP	00662	1	1 2