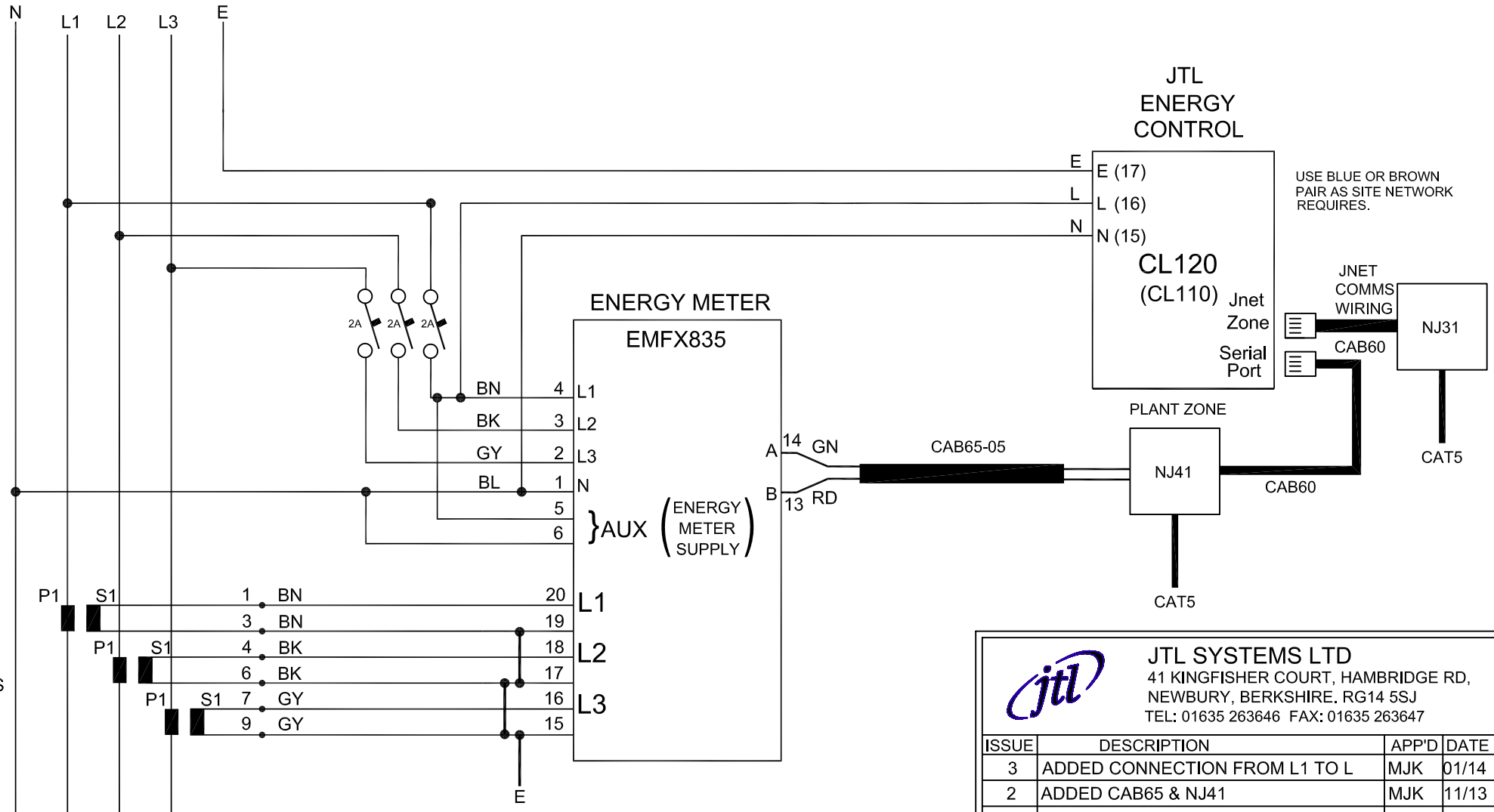


3 Ø SUPPLY




USE BLUE OR BROWN PAIR AS SITE NETWORK REQUIRES.

NOTE PHASING AND CT POLARITY MUST BE CORRECT INCLUDING DIRECTION OF PRIMARY FLOW THROUGH THE CT.

NOTE DO NOT DISCONNECT CT WIRING WITH POWER ON. USE CT SHORTING BARS IF NECESSARY.

THIS IS AN UNCONTROLLED COPY - UNLESS STAMPED WITH CONTROLLED COPY STAMP



JTL SYSTEMS LTD
 41 KINGFISHER COURT, HAMBRIDGE RD,
 NEWBURY, BERKSHIRE. RG14 5SJ
 TEL: 01635 263646 FAX: 01635 263647

ISSUE	DESCRIPTION	APP'D	DATE
3	ADDED CONNECTION FROM L1 TO L	MJK	01/14
2	ADDED CAB65 & NJ41	MJK	11/13
4	ADDED CL120	MJK	12/16

TITLE: **CURRENT LIMITER (kWh) WIRING**
 3 PHASE UNBALANCED (4 WIRE)

TYPE: EMX835/CL120/CL110

PROJ.	DRG No:	SHT	OF	ISS.
	04194	1	1	4