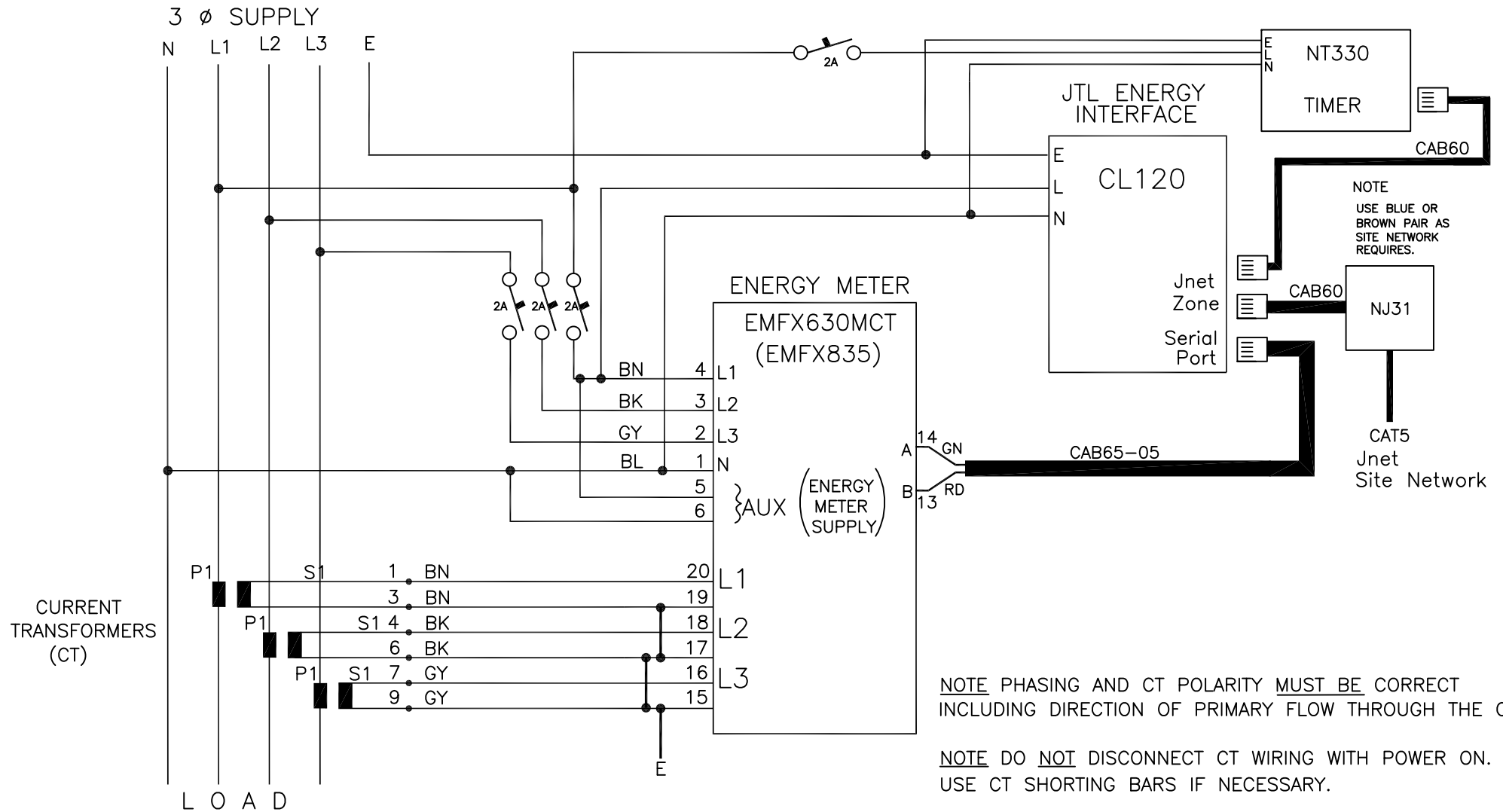



# SS-ENERGY4-1 SHOP SERVICE ENERGY METERING ENCLOSURE

THIS IS AN UNCONTROLLED COPY - UNLESS STAMPED WITH CONTROLLED COPY STAMP



TITLE:		PROJ:		ISSUE	DESCRIPTION	APP'D	DATE
SS-ENERGY4-1 SHOP SERVICE ENERGY METERING ENCLOSURE							
 JTL SYSTEMS LTD 41 KINGFISHER COURT, HAMBRIDGE RD, NEWBURY BERKSHIRE, RG14 5SJ TEL: 01635 263646 FAX: 01635 263647	DRG TYPE:	DRG No:	SHT OF	ISS.			
	WIRING DIAGRAM	04862	1 1	2	2	SzN	01/20
					1	SzN	10/17