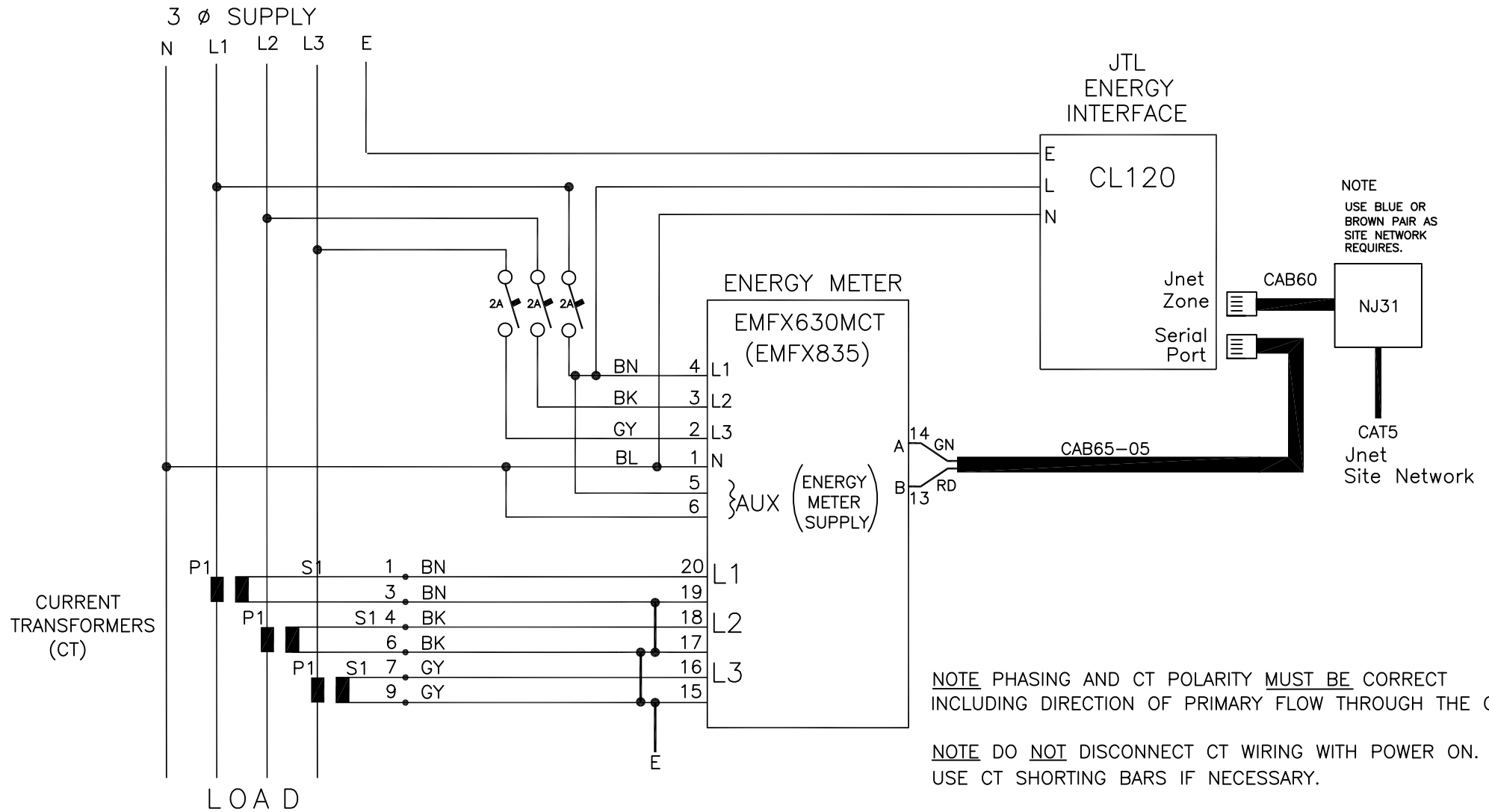


# SS-ENERGY4-1-ADD SHOP SERVICE ENERGY METERING ENCLOSURE

THIS IS AN UNCONTROLLED COPY - UNLESS STAMPED WITH CONTROLLED COPY STAMP



TITLE: SS-ENERGY4-1-ADD SHOP SERVICE ENERGY METERING ENCLOSURE		PROJ:			ISSUE	DESCRIPTION	APP'D	DATE
<small>JTL SYSTEMS LTD 41 KINGFISHER COURT, HAMBRIDGE RD, NEWBURY BERKSHIRE, RG14 5SJ TEL: 01635 263646 FAX: 01635 263647</small>	DRG TYPE: <b>WIRING DIAGRAM</b>	DRG No: <b>04863</b>	SHT <b>1</b>	OF <b>1</b>	ISS. <b>2</b>	2 ADDED EMFX630MCT	SzN	01/20
						1 ORIGINAL ISSUE	SzN	10/17